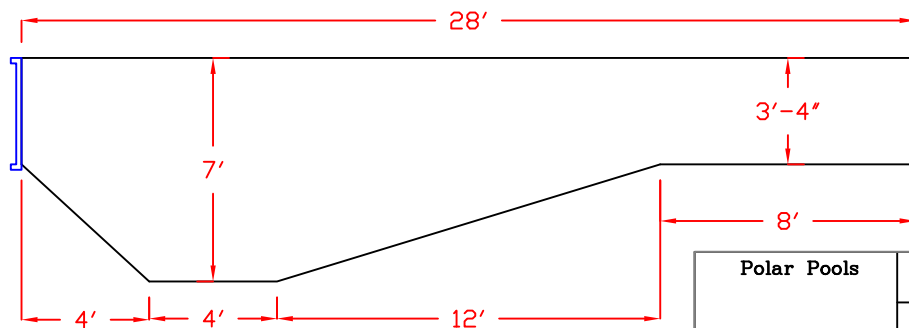
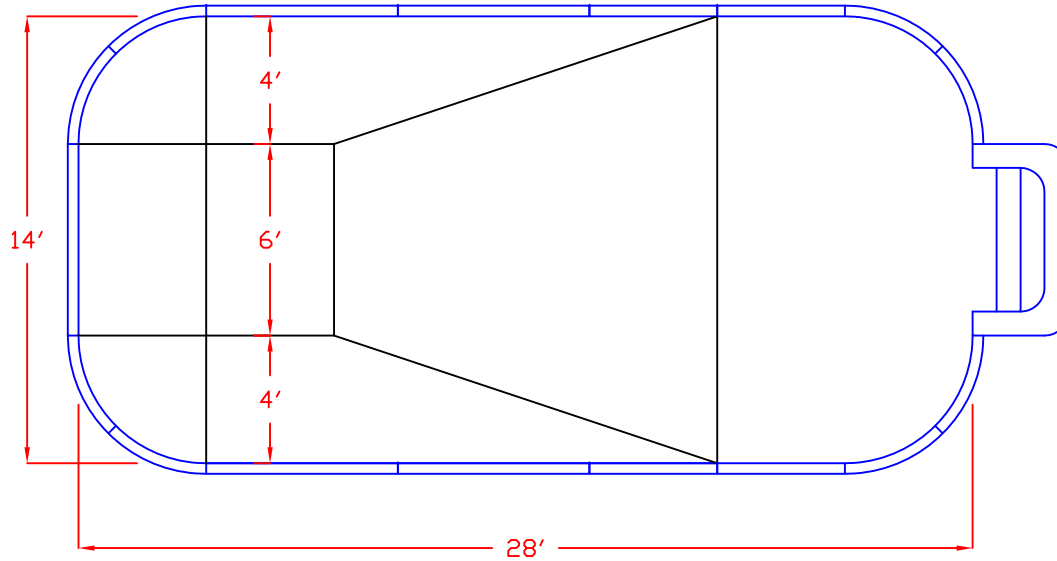
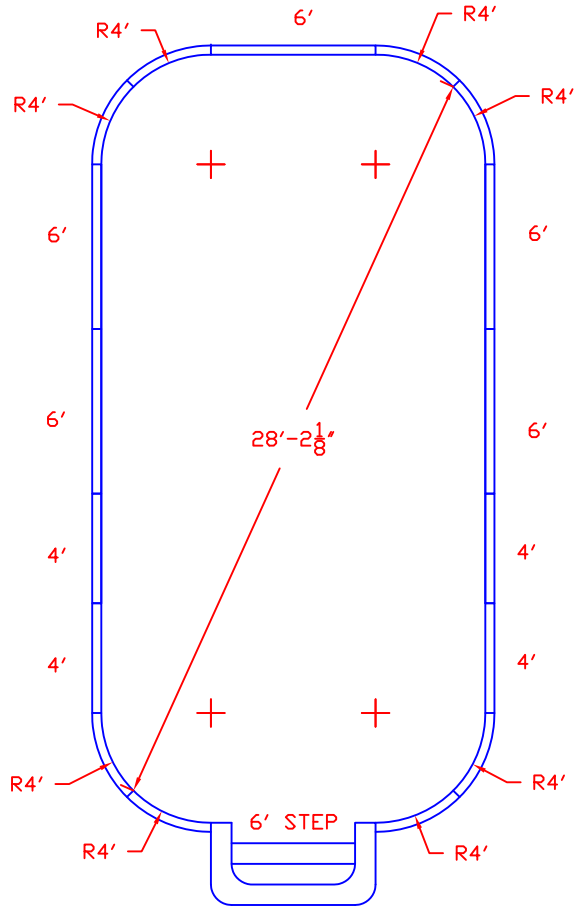


## LIST OF MATERIALS

PART	QUANTITY	PART #
6' STEP	1	PBS-6
6' PLAIN	5	K23030
4' PLAIN	4	K23032
4' RADIUS	8	K23031
BRACE	12	POLY BRACE



### GENERAL NOTES:

This is a Type 0 pool & NO DIVING IS ALLOWED!

This drawing is for illustrative purposes only. Dealer/ builder is an independent contractor and not an agent or employee of Polar Pools. Polar Pools makes no representations other than that which is stated in its written warranty. The customer or Dealer/ Builder is responsible for all construction methods and conforming to all building codes.

Safety rope must be installed 1ft. from break on shallow side.

No diving placards must be used.

PERIMETER: 772'-2"

S.A. : 37827 SQ.FT.

VOLUME: 11,348 GAL.

<b>Polar Pools</b>		THIS DRAWING IS THE PROPERTY OF POLAR POOLS AND IS LOANED FOR CONFIDENTIAL USE ONLY, AND SHOULD NOT BE COPIED OR USED FOR ANY PURPOSE DETRIMENTAL TO THE INTEREST OF POLAR POOLS.			
		<b>14' X 28' W/ 4'R RECTANGLE - POLY</b>			
DATE	DRAWN BY	SIZE	SCALE	DWG NO.	REV
07/31/09	JMH	B	NTS	1 of 1	0